

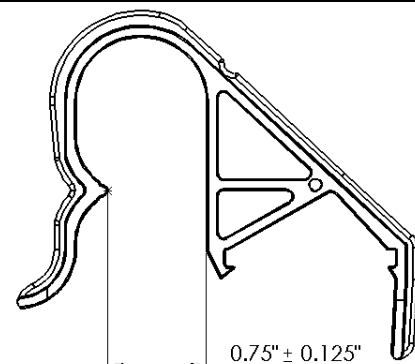
2024-2025 Field Compliance Check

All events are expected to meet the minimum compliance requirements:

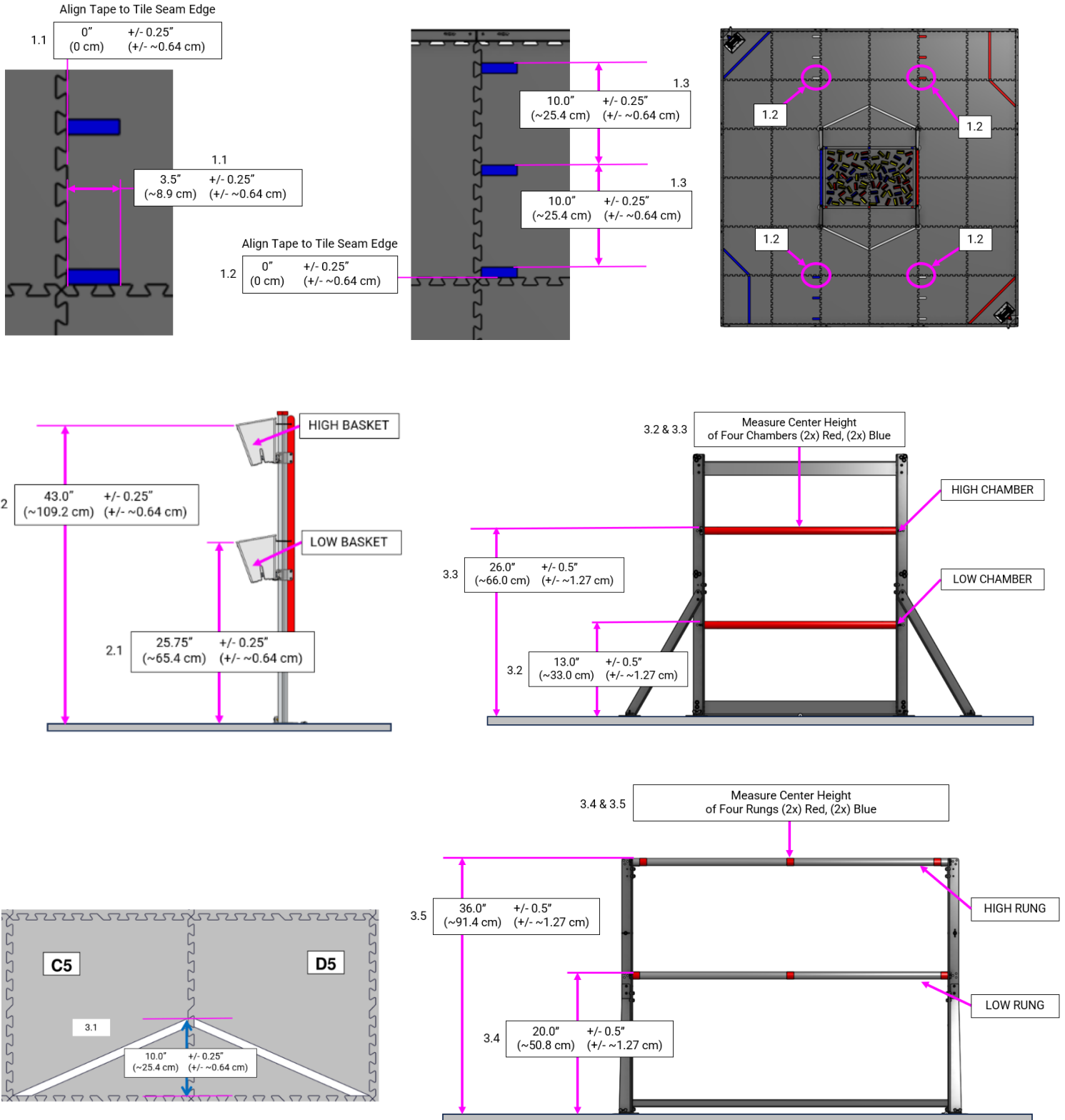
- For single day events – Checks must be completed once, prior to the start of qualification matches
- Additionally, for multi day events – Checks must be completed prior to the start of matches EACH day

#	Color	☑ ☑ ☑	Spec & (Tolerance)	Inspection Item Description
Sample Preset Lines / Spike Marks (See Field Setup Guide: "Sample Preset Lines")				
1.1	RED:	<input type="checkbox"/> <input type="checkbox"/> <input type="checkbox"/>	3.5" (+/- 0.25")	Tape Length is Correct and...
	BLUE:	<input type="checkbox"/> <input type="checkbox"/> <input type="checkbox"/>	0.0" (+/- 0.25")	...Tape Edge starts adjacent to Tile Seam
WHITE:	<input type="checkbox"/> <input type="checkbox"/> <input type="checkbox"/> <input type="checkbox"/> <input type="checkbox"/> <input type="checkbox"/>			
1.2	RED:	<input type="checkbox"/>	0.0" (+/- 0.25")	For the (4) Lines closest to Submersible (ref image 1.2): Confirm the Tape Side is Adjacent to Tile Seam
	BLUE:	<input type="checkbox"/>		
	WHITE:	<input type="checkbox"/> <input type="checkbox"/>		
1.3	RED:	<input type="checkbox"/> <input type="checkbox"/>	10.0" (+/- 0.25")	Tape to Tape Spacing – As Shown in Ref Images & Setup Guide (NOT the gap between tape lines)
	BLUE:	<input type="checkbox"/> <input type="checkbox"/>		
	WHITE:	<input type="checkbox"/> <input type="checkbox"/> <input type="checkbox"/> <input type="checkbox"/>		
Basket Heights (See Figure 9-10 in manual section 9.6)				
2.1	RED:	<input type="checkbox"/>	25.75" (+/- 0.25")	Height of LOW BASKET Front Lip to Tile Surface
2.2	RED:	<input type="checkbox"/>	43.0" (+/- 0.25")	Height of HIGH BASKET Front Lip to Tile Surface
Submersible Structure & Ascent Zone (See manual section 9.5 & Field Setup Guide)				
3.1	RED:	<input type="checkbox"/>	10.0" (+/- 0.25")	ASCENT ZONE Tape: Tape Apex from the Tile Seam
3.2	RED:	<input type="checkbox"/>	13.0" (+/- 0.5")	Height of top of LOW CHAMBER above Tile Surface
3.3	RED:	<input type="checkbox"/>	26.0" (+/- 0.5")	Height of top of HIGH CHAMBER above Tile Surface
3.4	RED:	<input type="checkbox"/>	20.0" (+/- 0.5")	Height of top of LOW RUNG above Tile Surface
3.5	RED:	<input type="checkbox"/>	36.0" (+/- 0.5")	Height of top of HIGH RUNG above Tile Surface
AprilTags (See manual section 9.8 & "AprilTag Images" in the Playing Field Materials)				
4.1		<input type="checkbox"/> ¹¹ <input type="checkbox"/> <input type="checkbox"/> ¹² <input type="checkbox"/> <input type="checkbox"/> ¹³ <input type="checkbox"/> <input type="checkbox"/> ¹⁴ <input type="checkbox"/> <input type="checkbox"/> ¹⁵ <input type="checkbox"/> <input type="checkbox"/> ¹⁶ <input type="checkbox"/>	4.0" (+/- 0.25")	AprilTag Height: Alignment Line above Tile Surface [Check each tag (2x): Right Edge, Left Edge]
4.2		¹¹ <input type="checkbox"/> ¹² <input type="checkbox"/> ¹³ <input type="checkbox"/> ¹⁴ <input type="checkbox"/> ¹⁵ <input type="checkbox"/> ¹⁶ <input type="checkbox"/>	0.0" (+/- 0.375")	AprilTag Horizontal Alignment: Centered on Tile Junction (mid of "saw tooth" pattern)
Clips (See manual section 9.7.2)				
5.1	Check Clips as Shown (40x) per Field		0.75" (+/- 0.125")	

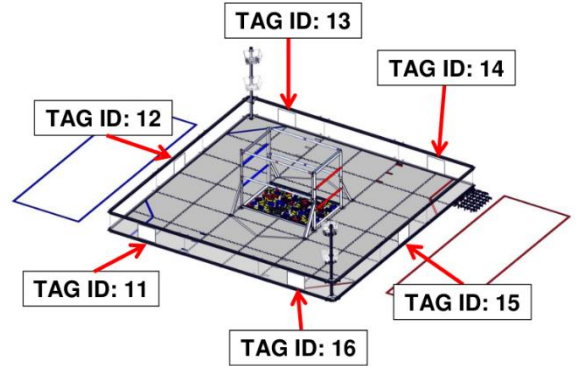
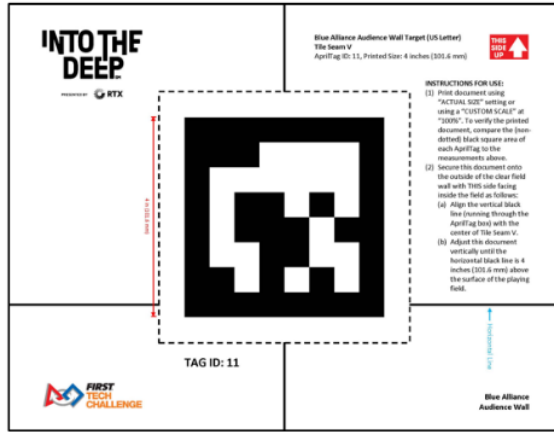
- Clips can be manually re-adjusted to spec by bending the plastic.
- Note, this new dimension was specifically identified for compliance checks.



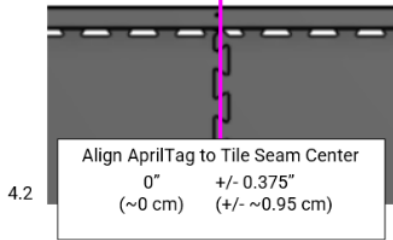
REFERENCE IMAGES: (Refer to the Competition Manual & "Field Assembly and Setup Guide" for more details)



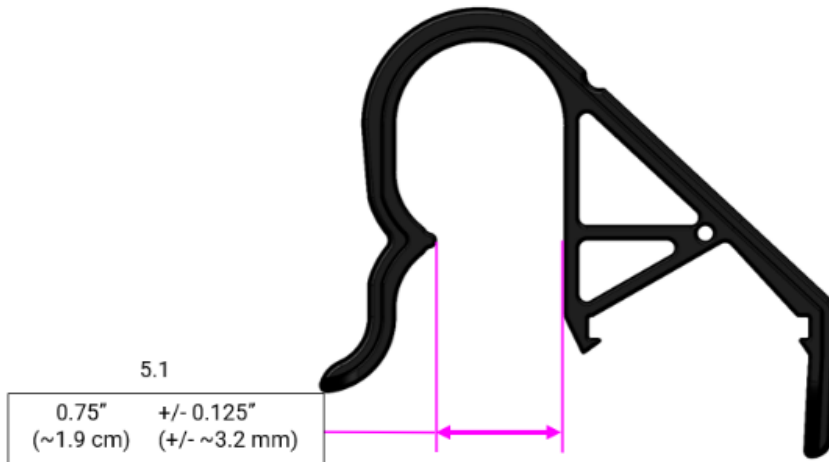
REFERENCE IMAGES cont: (Refer to the Competition Manual & “Field Assembly and Setup Guide” for more details)



4.1
4.0" +/- 0.25"
(~10.2 cm) (+/- ~0.64 cm)



Foam Tile Surface



Revision History		
Revision	Date	Description
1	2/19/2025	Initial Release